

V5211S

THREADED END CONNECTION HIGH CLOSE-OFF PRESSURE RATING LINEAR VALVE

SPECIFICATION DATA



Features

- Stainless Steel body with BSPT-threaded connections.
- High close-off pressure rating, couple with 600Nm actuator (ML6420/ML7420).
- Low seat leakage rate (≤ 0.05 percent of K_{vs}).
- Spring-loaded, self-adjusting packing.
- Accurate positioning to ensure state of the art temperature control.
- Sizes range from 2-1/2 in. to 3 in.

Specifications

Action:	Stem down to close
Nominal pressure rating:	PN16
Flow characteristic:	See Fig. 2 Equal percentage
Rangeability:	50:1
Leakage rate:	$\leq 0.05\%$ of k_{vs}
Stroke:	20 mm
Valve body:	
Pipe connections:	Internal BSPT-threaded
Material:	Stainless Steel SUS304
Dimensions:	See Fig. 1
Trim:	
Seat:	Stainless Steel SUS304
Plug:	Bronze
Stem:	Stainless steel
Packing:	Spring loaded PTFE V-rings
Medium temperature and pressure:	2 to 120 °C max. 1495 kPa
Water & Steam	120 to 180 °C max. 1100 kPa

Application

Single seated control or shutoff valve for:

- Hot water
- Chilled water
- Domestic Hot Water
- Steam

in Heating, Ventilating, Air Conditioning Systems,
Open Circuits

To be operated by

- electric linear actuators
as
ML 6420 / 25
ML 7420 / 25
M 6421
M 7421

Sizes and flow capacities

Order Number	Application	Valve size	K _{Vs}
V5211S1029	Water	DN65	54.0
V5211S2027	Steam		
V5211S1037	Water	DN80	85.7
V5211S2035	Steam		

Close-off Pressure Ratings in kPa

Electric Actuators

Actuator		Valve size	
Type	Force	DN65	DN80
ML6420 / ML6425	600Nm	1000	1000
ML7420 / ML7425			

Installation

Water should meet VDI2035 requirements.

Do not install valve with stem below the horizontal.

Fluid flow must correspond with the arrow direction on the valve body.

The installation of a strainer is strongly recommended.

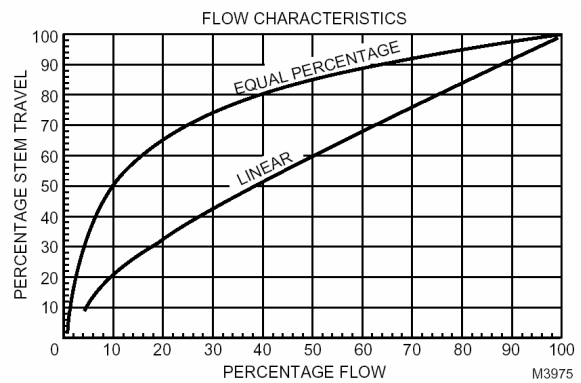
Spare Parts

Repair packing kit

88609021 (for Water, DN65...80)

88609022 (for Steam, DN65...80)

Fig. 2



Dimension (in in.)

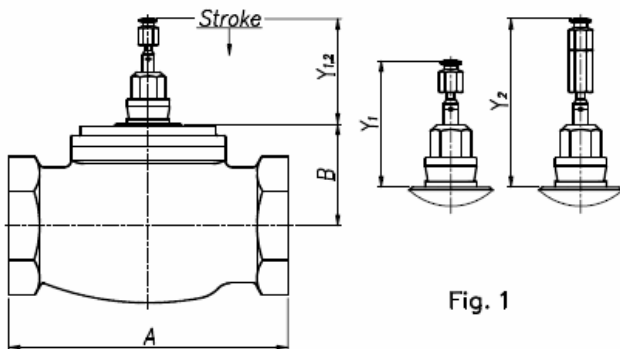


Fig. 1

Valve Size	A	B	Y ₁	Y ₂ *
			Stem down	
DN65	7-1/2	2-3/4	3-1/2	5-1/4
DN80	8-7/8	3-3/16		

Honeywell

Automation and Control Solutions

Honeywell Taiwan Ltd.
 9F, 168 Lien Cheng Road
 Chung Ho City, Taipei County, Taiwan
 Phone: +886-2-2243 1653
 Fax: +886-2-2243 1244

Subject to change without notice. Printed in Taiwan