

T-STAR series large screen LCD thermostat

Line voltage (220VAC)

2/4-Pipe Fan-coil control

Data Sheet



FEATURES:

- Modern appearance design, suitable for the office, cabaret, and the high end residential building
- Large display screen, blue backlight
- Display in English only model or Chinese/English
- Time display
- Select display room temperature or temperature setting (according to the demands, changes display mode in installing mode, factory-configured display room temperature setting).
- Press Fan key to select auto FAN speed or manual FAN speed
- Press the button enter or exit sleep mode
- Enter into sleep mode; it can automatically change temperature set point gradually.
- The valve fans are all on/off control.
- Allow installer to choose display Celsius or Fahrenheit at installation setting mode
- Allow to choose fan control continuously or Cyclely
- User can adjust night offset value
- User setting can be kept when power supply is down (programmable model, time keeps 24 hours)
- When necessary, one can activate low temperature protection mode after shut down.
- Using the graphics symbol to show heating, cooling, sleep, low temperature protection mode.
- Using key combination can lock or unlock key buttons on thermostat.
- Working with VC4013/VC6013 series, V4043/V4044 series, or other 220VAC line voltage controlled valves.

APPLICATION

T7126 series digital display thermostats are designed for application of (3-speed) fan-coil valves control.

Including:

- 2-pipe 3-speed fan and valves control
- 4-pipe 3-speed fan and valves control
- Automatic 3-speed fan control only
- Water valve or wind damper control only

Fan speed control can be selected to automatic or manual wind speed.

For 2-pipe and 4-pipe mode, fan can be set to fan cycle or fan constant on demand at installation.

SPECIFICATIONS:

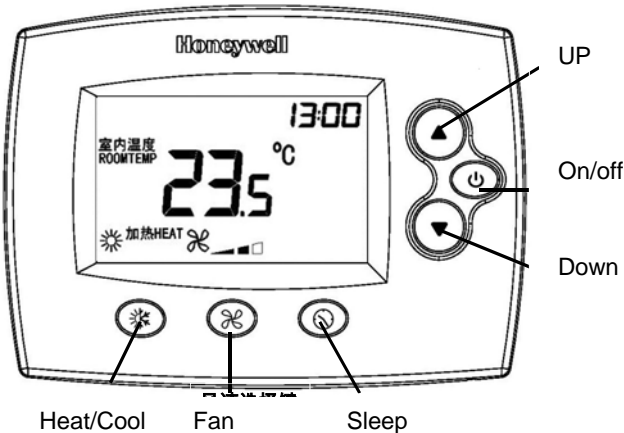
OS Number	3-speed fan	Valve /fan	Programmable	4-pipe /2-pipe	Insert card	Outside sensor	Infrared remote controller	LCD Display
T7126A1007	Y	Y		2				Chinese display
T7126A1023	Y							Chinese display
T7126A1049		Y		2				Chinese display
T7126A1064	Y	Y		4/2				Chinese display
T7126B1005	Y	Y		2				English display
T7126B1021	Y							English display
T7126B1047		Y		2				English display
T7126B1062	Y	Y		4/2				English display

The sixth character of OS Number, A display both in Chinese and English, B only display in English, T7126A1064/T7126B1062 can be set to 2-pipe or 4-pipe applications.

SPECIFICATIONS:

Power supply	220V AC (±10%), 50 Hz
Temperature switch	S.P.S.T 或 S.P.D.T .relay ,according to model
Control performance	P+I arithmetic used for on/off control, when 22°C 50% on/off circularly, control in ± 1°C. Display 0.5°C(1F) Temperature display 0~45°C Temperature setting 5~35°C
Electric specification	4 impedance(2 inductivity)A, 220 VAC typical load fan, zone valve, relay
Lifetime	On /off time of relay over 100,000 times
Installation	Install on 86x86mm (distance60mm) junction box of wall or US 2x4 Inch. Horizontal junction box directly.
Wiring	8-line bolt connection terminal can connect 2 x 1.5 mm ² , or 1 x 2.5mm ² lead .
Insurance	3A 230V fuse
Dimension	120 x 90 x 33.2 mm (w x h x d).
Protection class	IP30
Environment	Operation temperature 0 ~ 45°C Shipping -20 ~ 55°C Temperature Humidity 5 ~ 95% RH

UP



Control Mode

Adopt proportion integral adjustment of time proportion and forecast control method, start-up time of control switch output decrease difference between control point and set-point.

Time of switch base on arithmetic and fixed circle period. Heating mode and cooling mode in control mode, Fan speed can select manual and automatic wind speed mode control (according to setting and actual temperature difference)

System operation

The mainly operation mode of T7126:

Comfort control mode, sleep mode, (insert card model include energy save mode), shut down mode and low temperature protection mode.

	in key lock mode
	fan in operation
	In sleep mode
	show wind speed
	In heating
	In cooling
	Thermostat in over cold protection mode.

ROOMTEP display indoor temperature currently

SETPOINT display set-point temperature currently

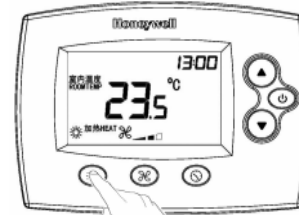
HEAT in heating mode

COOL in cooling mode

AUTO fan in automatic mode

SLEEP in sleep mode

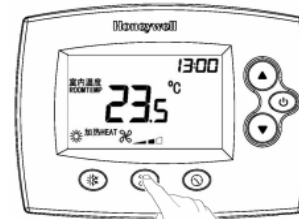
Heating control and cooling control conversion



system key :press single key change heat/cool control mode and parameter .

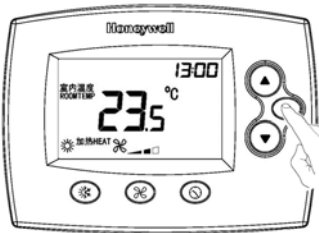
4-pipe model can set and select manual /automatic mode when installing

Choose fan operation mode:



Press fan speed key to select auto or manual low、 manual middle、 manual high wind speed according to user demands.

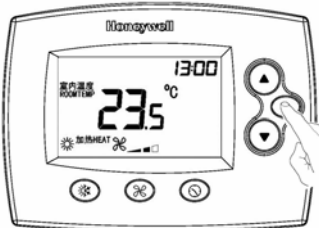
On /off thermostat



Press on /off key open or close thermostat
press key close thermostat , displayed digital icon disappear.

Press key again , open thermostat, display again

Shut down mode



Press on/off key lightly in other mode, enter into shut down mode.

Low temperature protection mode

In shut down mode press key(exceed3 seconds)until display icon.

Indoor temperature below 6°C , start-up heating system automatic.

Indoor temperature higher than 8°C , thermostat return to protection mode.

Quick press “”key exit over-cooling protection mode.

Comfort control mode

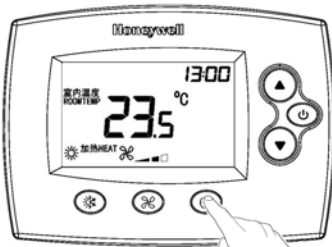
In normal mode, control according to user selected set-point.

Press key, turn from shut down or protection mode To comfort control mode

Or Press Sleep Key turns from sleep mode to comfort control mode.

Sleep mode

Press sleep key active or cancel sleep mode



press sleep key , active sleep mode, display “SLEEP、moon and alarm clock” .

press sleep key again cancel sleep mode , “moon and alarm clock” disappear.

Press on/off key enter into shut down mode.

Up and down key can cancel sleep mode enter into comfort control mode.

Time setting

Press key , until flash “hour : minute”

Press or key set hour time

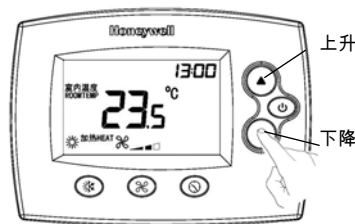
Press key , flash “hour : minutes” , press or key set minutes

Press key exit , setting valid

no key pressed in 10 seconds ,automatic overtime exit, setting valid .

Temperature setting

Press up and down key, adjust setting temperature.



Display indoor temperature currently; press the key the first time, display setting temperature currently

display setting temperature, press the key the first time, setting temperature change0.5°C . if display format in

Fahrenheit, then change1°C

temperature setting range: 5°C — 35°C (41° — 95°F)

Press up or down key continually and speed up adjust setting temperature.

Key lock

Simultaneously Press + + and hold 3 seconds, enter into key lock mode.

The upleft corner of LCD appears a lock icon.

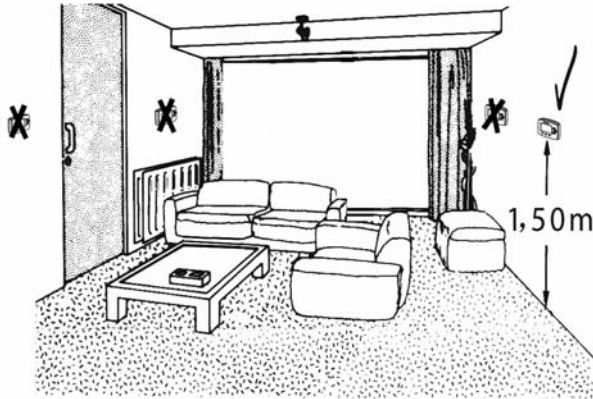
In key lock mode press other key is invalid.

Simultaneously press + + and hold 3 seconds unlock the key , lock icon disappear. Key-press back to normal functions

Troubleshooting

Error detection	Remedial measures
No display	Check power whether normal. Check if the thermostat switch in close mode
Display “—”	Check if environment temperature exceed display range
No change of setting temp.	Check if exceed setting range 5—35°C (41—95°F)
Heating system does not turn on	press key, LCD display“加热/HEAT” adjustment temperature setting 2°C higher than indoor temperature, LCD display sun icon, check whether the fuse is brown and power is normal
Cooling System does not turn on.	press key, LCD display“制冷/COOL” adjustment setting temperature 2°C lower than indoor temperature, LCD display snowflake icon, check if the fuse is broken and power supply is normal.

Preparation before installation



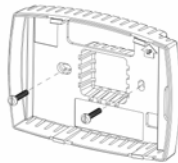
1. Mount the thermostat on an inside wall approx.1.5 meter from the floor.
Do not mount on wall corner or outside wall (except remote sensor model).

Keep away from heat/cool fan or radiator, avoid heat pipe and flue.

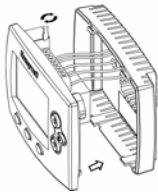
2. Mount the thermostat on 86X86 junction box or fixed bolt in thermostat packing prepared.
3. According to factory selected control objects (valves and fan) and selected thermostat model, draw up relevant wiring diagrams.
4. Place the lead, and mark each lead in line clearly, for wiring correctly.



(1)



(2)



(3)



(4)



(5)



(6)

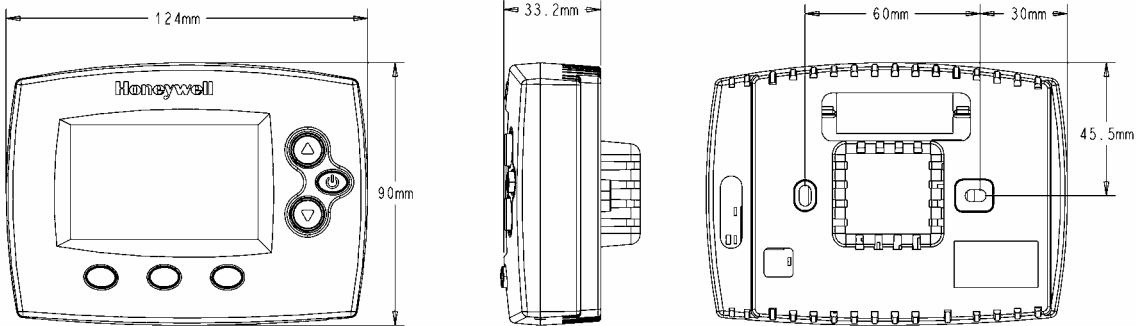
Install and wiring.

1. Close 2 2 0 V A C switch of power supply. Check controlled fan / valves wiring carefully, make sure wiring is correct. Mark the wiring lead clearly.
2. Open back cover.
3. Fix back cover on junction box using bolt
4. Connect the lead with T7126 connection terminal according wiring diagram. Then tighten using screwdriver
5. Place the thermostat on back lid that fixed on wall.
6. Connect with power supply, then begin operation.

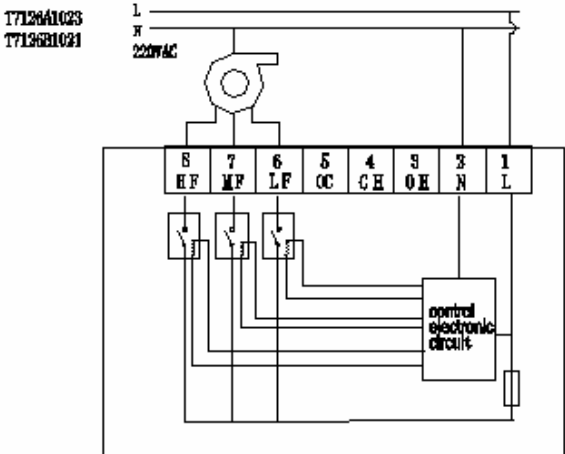
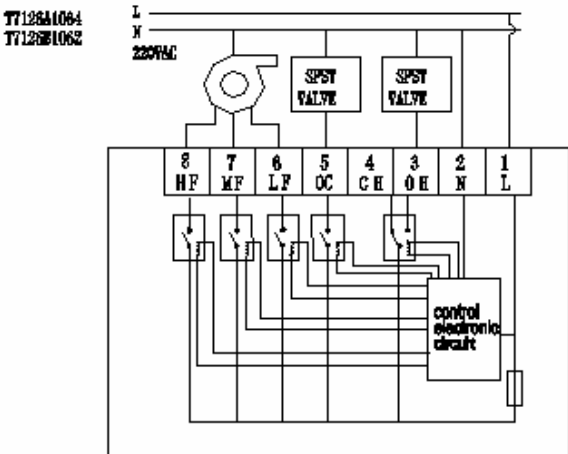
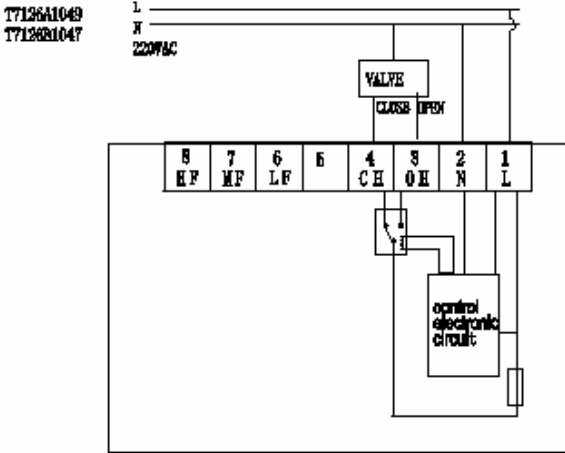
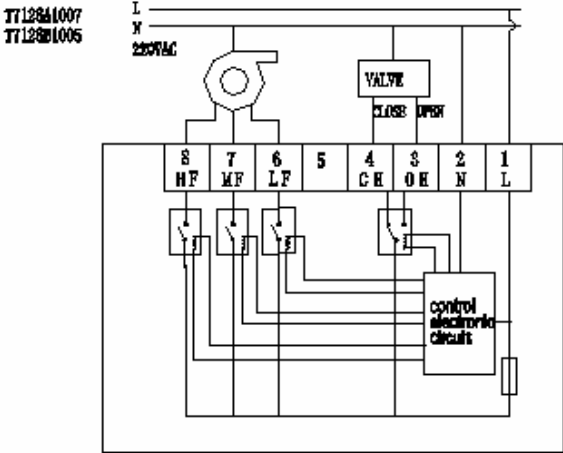
Maintenance and fuse replace

1. Shut down 2 2 0 V A C power supply.
2. Open back-cover, separate main body from back-cover.
3. Overturn upwards, then check and replace fuse.

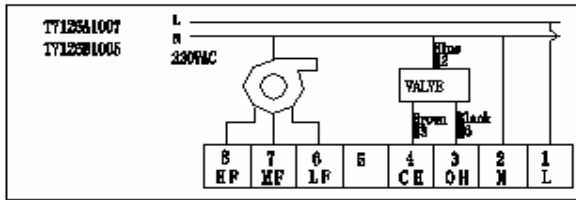
Dimension Diagrams



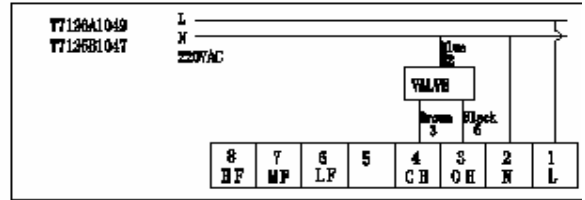
Control Circuit Diagrams



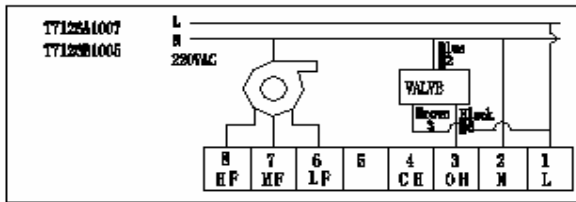
T7126 series 220VAC fan-coil thermostat wiring diagrams



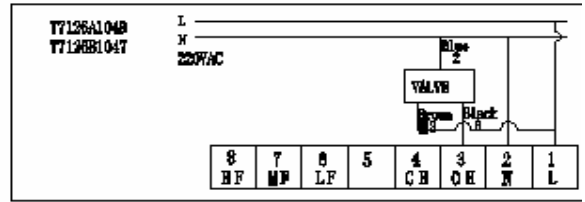
VC6013
two pipe



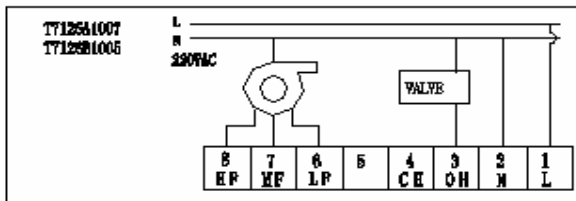
VC6013



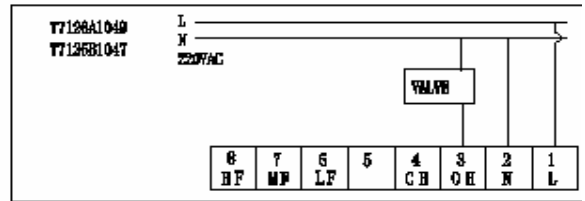
VC4013
two pipe



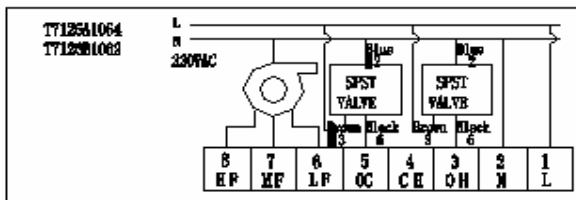
VC4013



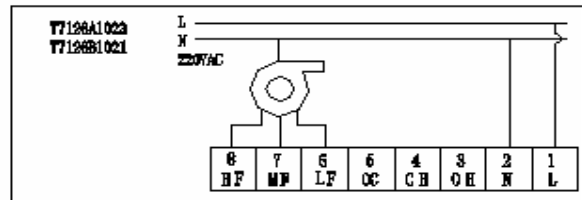
V4043/V4044 or others valve
two pipe



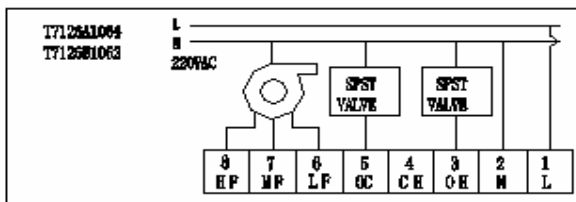
V4043/V4044 VU443A, VU444A line voltage (220VAC) valve



VC4013
four pipe



fan only



V4043/V4044 VU443A, VU444A line voltage (220VAC) valve
four pipe

Honeywell (TianJin) Limited

<http://www.honeywell-ec.com.cn>

#66, Beihe Road

Teda Industrial Estate

Tianjin, P.R. CHINA. P.C. 300457

Notice: Information and Specification In this Document is Subject to change without notice.